

TECHNICAL & SERVICE MANUAL

Series PCFY **Ceiling Suspended** **R410A** / **R407C** / **R22**

<Indoor unit>
[Model name]

PCFY-P40VGM-E

PCFY-P63VGM-E

PCFY-P100VGM-E

PCFY-P125VGM-E

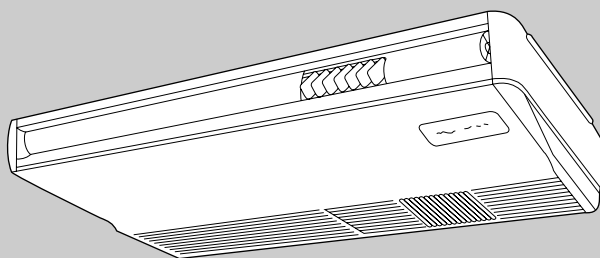
[Service Ref.]

PCFY-P40VGM-E

PCFY-P63VGM-E

PCFY-P100VGM-E

PCFY-P125VGM-E



INDOOR UNIT

CONTENTS

1. SAFETY PRECAUTION	2
2. PART NAMES AND FUNCTIONS	6
3. SPECIFICATIONS	8
4. OUTLINES AND DIMENSIONS	11
5. WIRING DIAGRAM	15
6. REFRIGERANT SYSTEM DIAGRAM	16
7. TROUBLE SHOOTING	17
8. DISASSEMBLY PROCEDURE	24
9. PARTS LIST	28
10. OPTIONAL PARTS	35

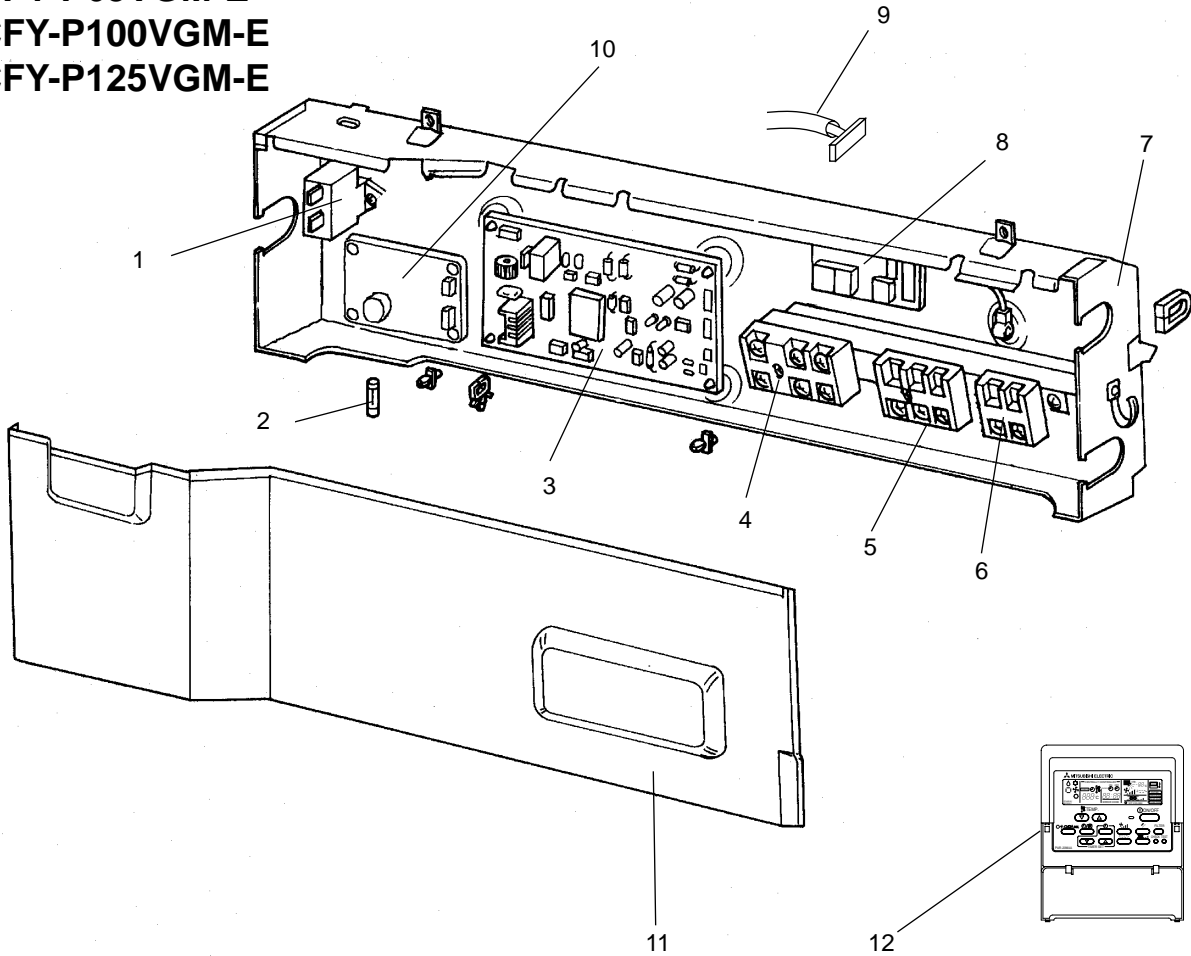
ELECTRICAL PARTS

PCFY-P40VGM-E

PCFY-P63VGM-E

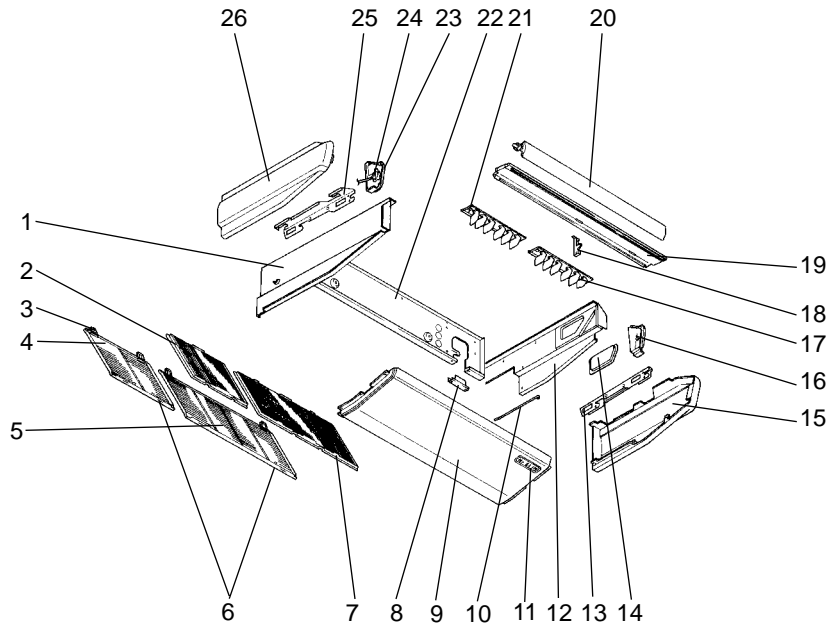
PCFY-P100VGM-E

PCFY-P125VGM-E



No.	Parts No.	Parts Name	Specifications	PCFY-				Remarks (Drawing No.)	Wiring Diagram Symbol	Recom- mended Q'ty	Price	
				P40 VGM-E	P63 VGM-E	P100 VGM-E	P125 VGM-E				Unit	Amount
1	R01 30L 255	CAPACITOR	3 μ F 440V	1					C1			
	T7W 39J 255	CAPACITOR	4 μ F 440V		1	1			C1			
	R01 A13 255	CAPACITOR	6 μ F 440V				1		C1			
2	T7W 520 239	FUSE	250V 6.3A	1	1	1	1					
3	T7W E34 310	INDOOR CONTROLLER BOARD		1	1	1	1		I.B			
4	T7W A14 716	TERMINAL BLOCK	3P(L,N,⊕)	1	1	1	1		TB2			
5	T7W E00 716	TERMINAL BLOCK	3P(M1,M2,S)	1	1	1	1		TB5			
6	T7W 515 716	TERMINAL BLOCK	2P(1,2)	1	1	1	1		TB15			
7	—	CONTROL BOX		1	1	1	1	(BG00N015G31)				
8	T7W B01 294	ADDRESS BOARD		1	1	1	1		A.B			
9	R01 05A 304	ADDRESS CABLE		1	1	1	1					
10	R01 E02 313	POWER BOARD		1	1	1	1		P.B			
11	—	BOX COVER		1				(BG02A804G20)				
	—	BOX COVER			1		1	(BG02A804G21)				
	—	BOX COVER				1		(BG02A804G22)				
12	—	REMOTE CONTROLLER	PAR-20MAA	1	1	1	1					

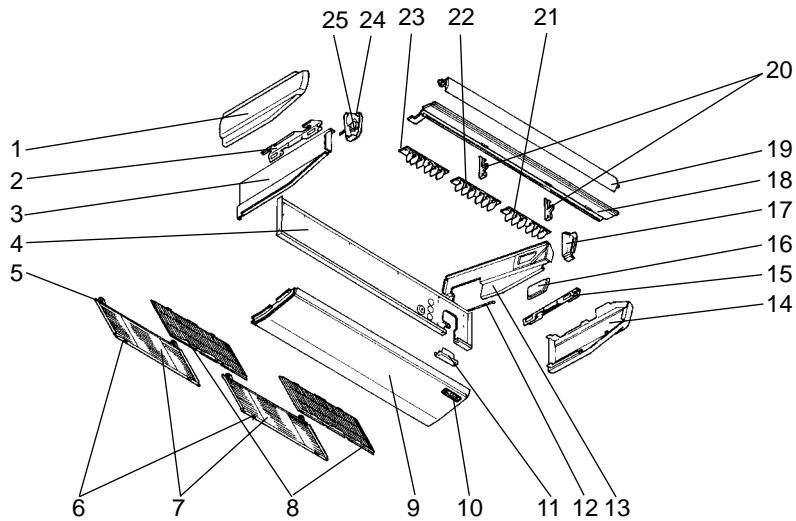
STRUCTURAL PART PCFY-P40VGM-E



Part number that is circled is not shown in the figure.

No.	Parts No.	Parts Name	Specifications	PCFY-P40VGM-E	Remarks (Drawing No.)	Wiring Diagram Symbol	Recommended Q'ty	Price	
								Unit	Amount
1	R01 57N 666	S.PLATE-L		1					
2	R01 A15 500	L.L FILTER		1					
3	R01 17J 061	GRILLE HINGE		4					
4	R01 18J 691	GRILLE ASSY		1					
5	R01 17J 691	GRILLE ASSY		1					
6	R01 17J 054	GRILLE CATCH		4					
7	R01 A14 500	L.L FILTER		1					
8	—	REAR SUPPORT		1	(BG02H454K01)				
9	R01 17J 669	UNDER PANEL		1					
10	—	BEAM(GA)		2	(BG17H464H08)				
11	T7W E00 070	W.BOARD CASE		1					
12	R01 18J 665	S.PLATE-R		1					
13	R01 17J 808	RIGHT LEG (R)		1					
14	R01 17J 668	SERVICE PANEL		1					
15	R01 17J 661	RIGHT SIDE PANEL		1					
16	R01 17J 067	RIGHT SIDE BOX		1					
17	R01 17J 085	G.V ASSY-6R		1					
18	—	VANE SUPPORT		1	(BG02R321G07)				
19	R01 17J 651	FRONT PANEL		1					
20	R01 17J 002	AUTO VANE		1					
21	R01 18J 086	G.V ASSY-6L		1					
22	R01 A14 676	REAR PANEL		1					
23	R01 17J 068	LEFT SIDE BOX		1					
24	R01 E03 223	VANE MOTOR		1		MV			
25	R01 17J 809	LEFT LEG (L)		1					
26	R01 17J 662	LEFT SIDE PANEL		1					
27	R01 17J 523	JOINT SOCKET		1					

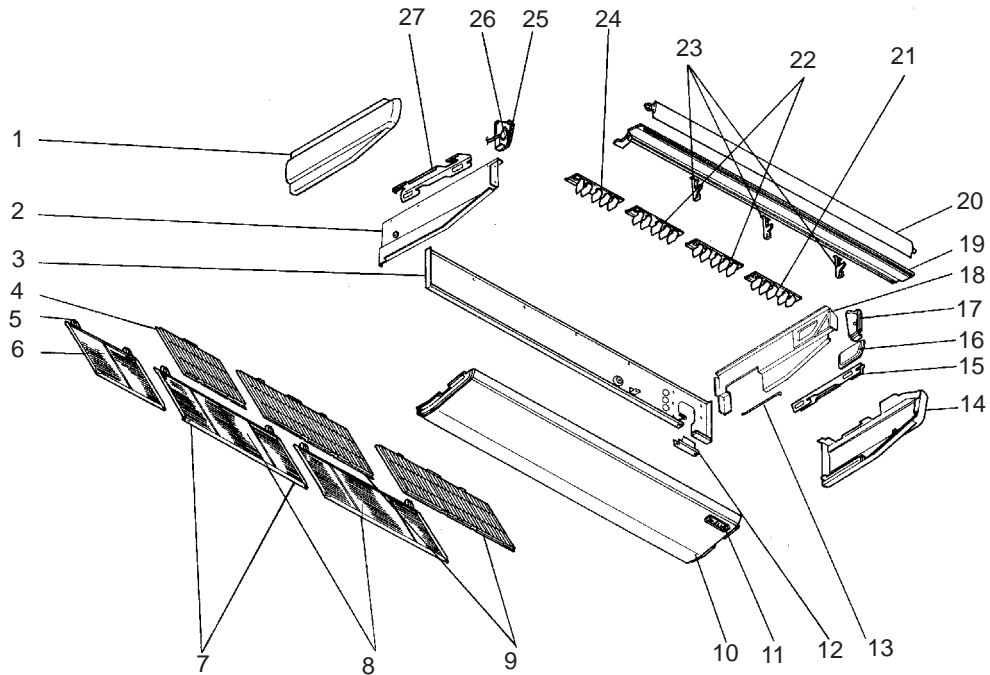
STRUCTURAL PART
PCFY-P63VGM-E
PCFY-P100VGM-E



Part number that is circled is not show in the figure.

No.	Parts No.	Parts Name	Specifications	PCFY-		Remarks (Drawing No.)	Wiring Diagram Symbol	Recom- mended Q'ty	Price	
				P63VGM-E	P100VGM-E				Unit	Amount
1	R01 17J 662	LEFT SIDE PANEL		1						
	R01 35J 662	LEFT SIDE PANEL			1					
2	R01 17J 809	LEFT LEG		1	1					
3	R01 57N 666	S.PLATE-L		1						
	R01 35J 666	S.PLATE-L			1					
4	R01 A15 676	REAR PANEL		1						
	R01 A16 676	REAR PANEL			1					
5	R01 17J 061	GRILLE HINGE		4	4					
6	R01 17J 054	GRILLE CATCH		4	4					
7	R01 17J 691	GRILLE ASSY		2	2					
8	R01 A14 500	L.L FILTER		2	2					
9	R01 29J 669	UNDER PANEL		1	1					
10	T7W E00 070	W.BOARD CASE		1	1					
11	—	REAR SUPPORT		1	1	(BG02H454K01)				
12	—	BEAM (GA)		2	2	(BG17H464H08)				
13	R01 18J 665	S.PLATE-R		1						
	R01 E00 665	S.PLATE-R			1					
14	R01 17J 661	RIGHT SIDE PANEL		1						
	R01 35J 661	RIGHT SIDE PANEL			1					
15	R01 17J 808	RIGHT LEG		1	1					
16	R01 17J 668	SERVICE PANEL		1						
	R01 18J 668	SERVICE PANEL			1					
17	R01 17J 067	RIGHT SIDE BOX		1						
	R01 35J 067	RIGHT SIDE BOX			1					
18	R01 29J 651	FRONT PANEL		1						
	R01 36J 651	FRONT PANEL			1					
19	R01 29J 002	AUTO VANE		1						
	R01 E03 002	AUTO VANE			1					
20	—	VANE SUPPORT		2		(BG02R321G07)				
	—	VANE SUPPORT			2	(BG02R805G05)				
21	R01 17J 085	G.V ASSY-6R		1						
	R01 37J 085	G.V ASSY-6R			1					
22	R01 29J 087	G.V ASSY-6C		1						
	R01 37J 087	G.V ASSY-6C			1					
23	R01 18J 086	G.V ASSY-6L		1						
	R01 37J 086	G.V ASSY-6L			1					
24	R01 17J 068	LEFT SIDE BOX		1						
	R01 E00 068	LEFT SIDE BOX			1					
25	R01 29J 223	VANE MOTOR		1			MV			
	R01 35J 223	VANE MOTOR			1		MV			
26	R01 17J 523	JOINT SOCKET		1	1					

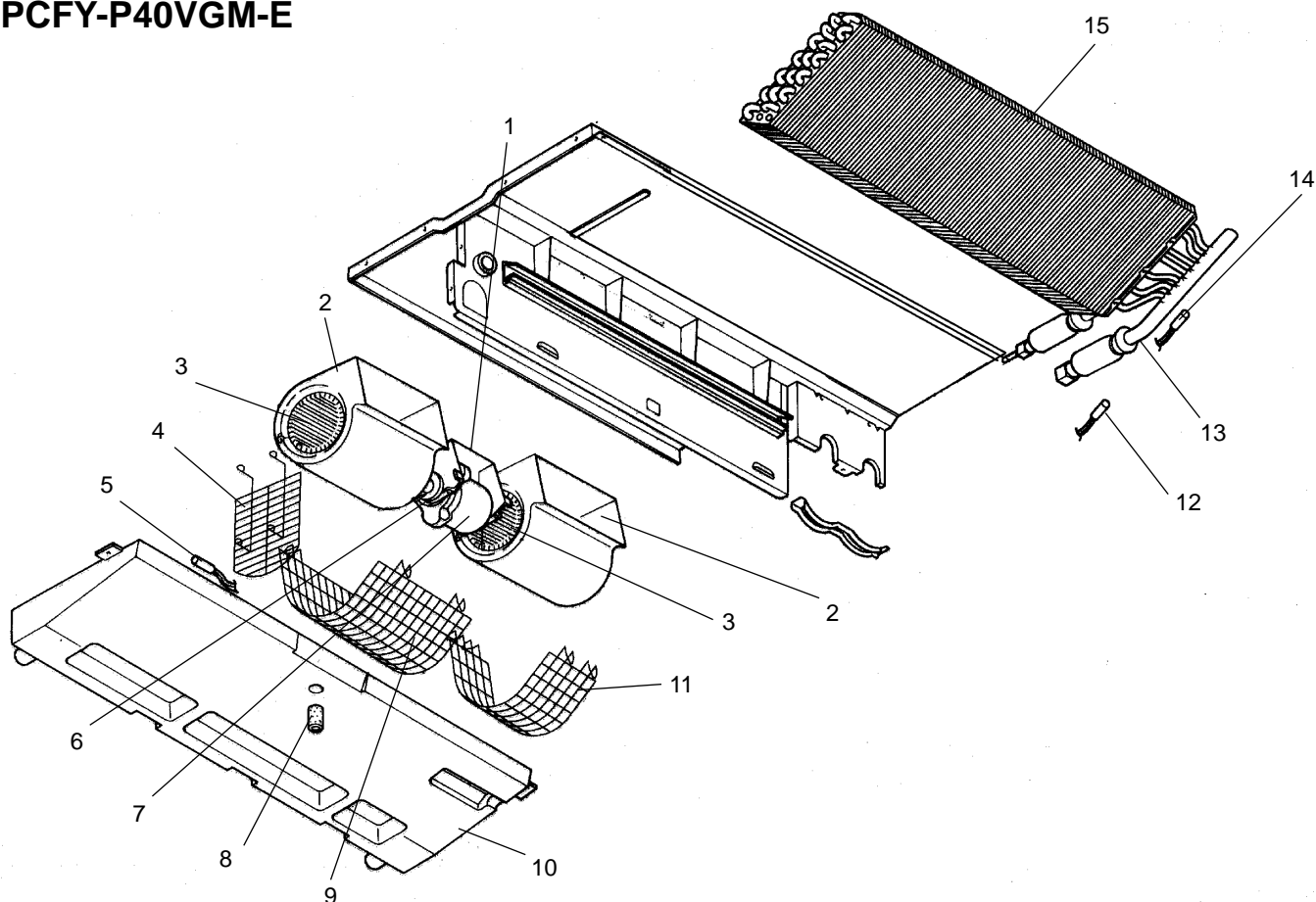
STRUCTURAL PART PCFY-P125VGM-E



Part number that is circled is not shown in the figure.

No.	Parts No.	Parts Name	Specifications	PCFY-P125VGM-E	Remarks (Drawing No.)	Wiring Diagram Symbol	Recom- mended Q'ty	Price	
								Unit	Amount
1	R01 35J 662	LEFT SIDE PANEL		1					
2	R01 35J 666	S.PLATE-L		1					
3	R01 A17 676	REAR PANEL		1					
4	R01 A15 500	L.L FILTER		1					
5	R01 17J 061	GRILLE HINGE		6					
6	R01 18J 691	GRILLE ASSY		1					
7	R01 17J 054	GRILLE CATCH		6					
8	R01 17J 691	GRILLE ASSY		2					
9	R01 A14 500	L.L FILTER		2					
10	R01 41J 669	UNDER PANEL		1					
11	T7W E00 070	W.BOARD CASE		1					
12	—	REAR SUPPORT		1	(BG02H454K01)				
13	—	BEAM(GA)		3	(BG17H464H08)				
14	R01 35J 661	RIGHT SIDE PANEL		1					
15	R01 17J 808	RIGHT LEG		1					
16	R01 18J 668	SERVICE PANEL		1					
17	R01 35J 067	RIGHT SIDE BOX		1					
18	R01 E00 665	S.PLATE-R		1					
19	R01 41J 651	FRONT PANEL		1					
20	R01 E04 002	AUTO VANE		1					
21	R01 41J 085	G.V ASSY-5R		1					
22	R01 43J 087	G.V ASSY-5C		2					
23	—	VANE SUPPORT		3	(BG02R805G05)				
24	R01 42J 086	G.V ASSY-5L		1					
25	R01 E00 068	LEFT SIDE BOX		1					
26	R01 35J 223	VANE MOTOR		1		MV			
27	R01 17J 809	LEFT LEG		1					
28	R01 17J 523	JOINT SOCKET		1					

FAN AND HEATER PARTS PCFY-P40VGM-E



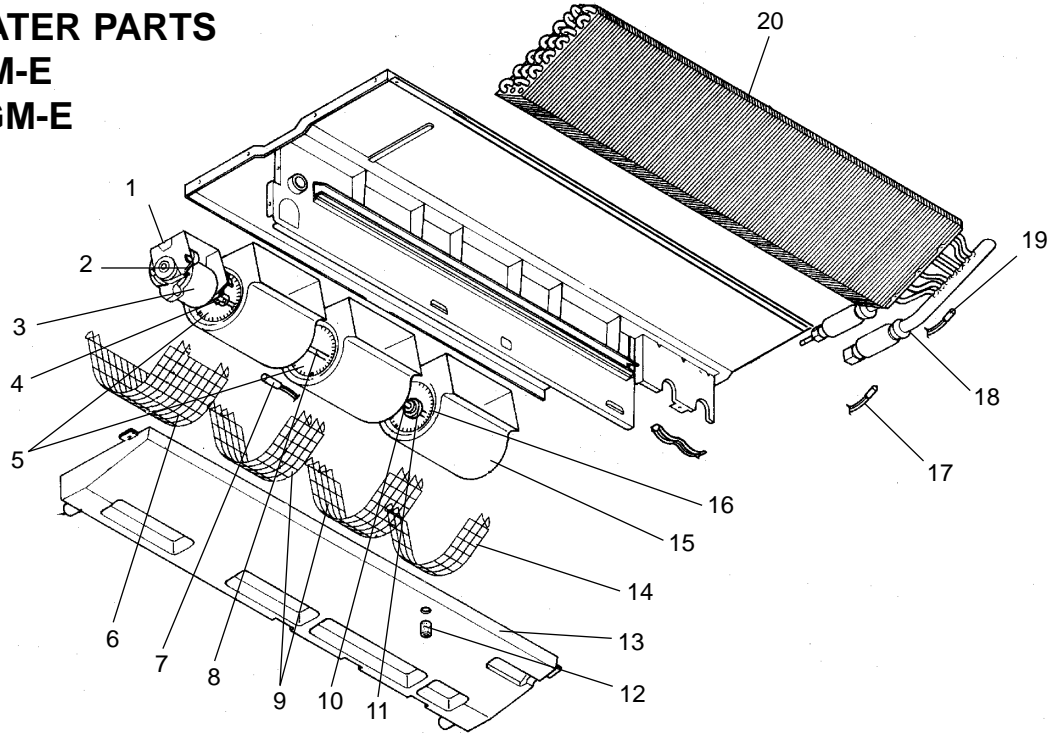
Part number that is circled is not shown in the figure.

No.	Parts No.	Parts Name	Specifications	PCFY-P40VGM-E	Remarks (Drawing No.)	Wiring Diagram Symbol	Recommended Q'ty	Price	
								Unit	Amount
1	R01 17J 130	MOTOR LEG		1					
2	T7W B06 110	CASING		2					
3	R01 17J 114	SIROCCO FAN		2					
4	T7W 19J 675	FAN GUARD		1					
5	R01 E26 202	ROOM TEMPERATURE THERMISTOR		1		TH21			
6	R01 43E 126	PIECE (MOTOR)	2pcs/set	1					
7	T7W 23J 762	FAN MOTOR	D09B4P54MS	1		MF			
8	R01 17J 524	DRAIN PLUG		1					
9	T7W 17J 675	FAN GUARD		1					
10	R01 A14 529	DRAIN PAN ASSY		1					
11	T7W 18J 675	FAN GUARD		1					
12	R01 E27 202	LIQUID PIPE TEMPERATURE THERMISTOR		1		TH22			
13	R01 E60 401	LINEAR EXPANSION VALVE		1		LEV			
14	R01 17J 202	GAS PIPE TEMPERATURE THERMISTOR		1		TH23			
15	R01 H47 480	HEAT EXCHANGER		1					
16	T7W E00 072	DRAIN HOSE COVER		1					

FAN AND HEATER PARTS

PCFY-P63VGM-E

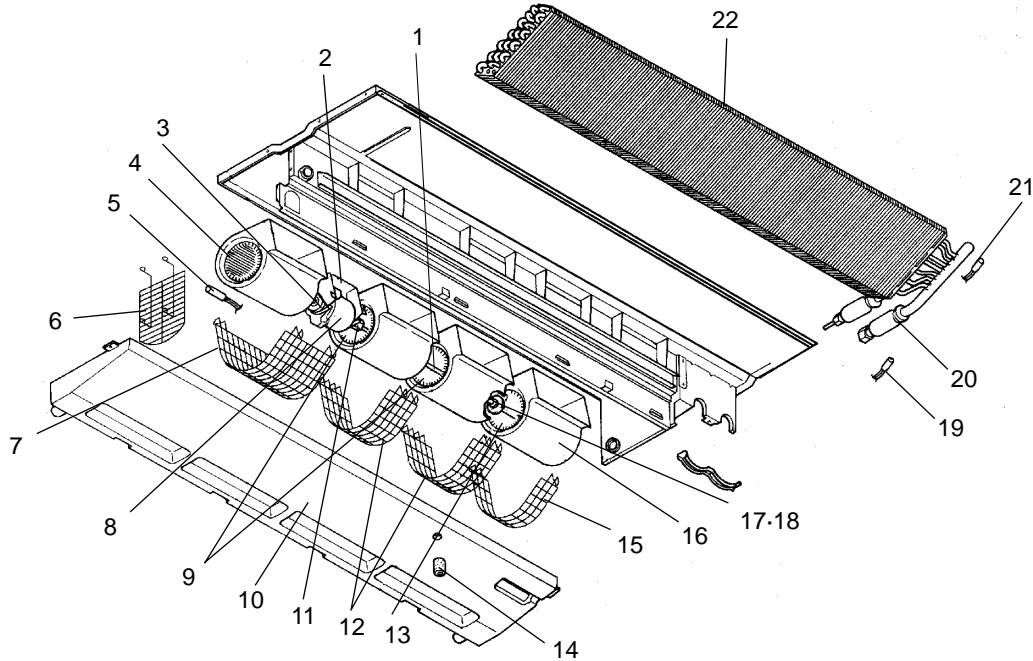
PCFY-P100VGM-E



Part number that is circled is not shown in the figure.

No.	Parts No.	Parts Name	Specifications	PCFY-		Remarks (Drawing No.)	Wiring Diagram Symbol	Recom- mended Q'ty	Price	
				P63VGM-E	P100VGM-E				Unit	Amount
1	R01 29J 130	MOTOR LEG		1						
	R01 35J 130	MOTOR LEG			1					
2	R01 43E 126	PIECE(MOTOR)	2pcs/set	1	1					
3	T7W 30J 762	FAN MOTOR	D09C4P70MS	1			MF			
	T7W 39J 762	FAN MOTOR	D10B4P90MS		1		MF			
4	R01 700 116	FAN JOINT		1	1					
5	R01 29J 114	SIROCCO FAN		2						
	R01 35J 114	SIROCCO FAN			2					
6	T7W 20J 675	FAN GUARD		1						
	T7W 22J 675	FAN GUARD			1					
7	R01 E26 202	ROOM TEMPERATURE THERMISTOR		1	1		TH21			
8	R01 29J 100	SHAFT		1	1					
9	T7W 21J 675	FAN GUARD		2						
	T7W 23J 675	FAN GUARD			2					
10	R01 E00 103	SLEEVE BEARING		1	1					
11	R01 29J 145	BEARING SUPPORT		1						
	R01 35J 145	BEARING SUPPORT			1					
12	R01 17J 524	DRAIN PLUG		1	1					
13	R01 A15 529	DRAIN PAN ASSY		1						
	R01 A16 529	DRAIN PAN ASSY			1					
14	T7W 18J 675	FAN GUARD		1						
	T7W 24J 675	FAN GUARD			1					
15	T7W B06 110	CASING		3						
	T7W B07 110	CASING			3					
16	R01 33J 114	SIROCCO FAN		1						
	R01 39J 114	SIROCCO FAN			1					
17	R01 E27 202	LIQUID PIPE TEMPERATURE THERMISTOR		1	1		TH22			
18	R01 E60 401	LINEAR EXPANSION VALVE		1			LEV			
	R01 E61 401	LINEAR EXPANSION VALVE			1		LEV			
19	R01 17J 202	GAS PIPE TEMPERATURE THERMISTOR		1	1		TH23			
20	R01 H49 480	HEAT EXCHANGER		1						
	R01 H52 480	HEAT EXCHANGER			1					
(21)	T7W E00 072	DRAIN HOSE COVER		1	1					

FAN AND HEATER PARTS PCFY-P125VGM-E



Part number that is circled is not shown in the figure.

No.	Parts No.	Parts Name	Specifications	PCFY- P125VGM-E	Remarks (Drawing No.)	Wiring Diagram Symbol	Recom- mended Q'ty	Price	
								Unit	Amount
1	R01 29J 100	SHAFT		1					
2	R01 41J 130	MOTOR LEG		1					
3	R01 43E 126	PIECE (MOTOR)	2pcs/set	1					
4	R01 41J 114	SIROCCO FAN		1					
5	R01 E26 202	ROOM TEMPERATURE THERMISTOR		1		TH21			
6	T7W 26J 675	FAN GUARD		1					
7	T7W 25J 675	FAN GUARD		1					
8	T7W 43J 762	FAN MOTOR	D10B4P150MS	1		MF			
9	R01 35J 114	SIROCCO FAN		2					
10	R01 A17 529	DRAIN PAN ASSY		1					
11	R01 700 116	FAN JOINT		1					
12	T7W 23J 675	FAN GUARD		2					
13	R01 39J 114	SIROCCO FAN		1					
14	R01 17J 524	DRAIN PLUG		1					
15	T7W 24J 675	FAN GUARD		1					
16	T7W B07 110	CASING		4					
17	R01 E00 103	SLEEVE BEARING		1					
18	R01 35J 145	BEARING SUPPORT		1					
19	R01 E27 202	LIQUID PIPE TEMPERATURE THERMISTOR		1		TH22			
20	R01 E61 401	LINEAR EXPANSION VALVE		1		LEV			
21	R01 17J 202	GAS PIPE TEMPERATURE THERMISTOR		1		TH23			
22	R01 H53 480	HEAT EXCHANGER		1					
23	T7W E00 072	DRAIN HOSE COVER		1					

10**OPTIONAL PARTS****10-1. DRAIN-UP MACHINE**

Part No.	PAC-SE84DMA-E	PAC-SE85DMA-E	PAC-SE86DMA-E
Applied Service Ref.	PCFY-P40VGM-E	PCFY-P63VGM-E	PCFY-P100VGM-E PCFY-P125VGM-E

10-2. HIGH EFFICIENCY FILTER

Part No.	PAC-SE80KF-E	PAC-SE81KF-E	PAC-SE82KF-E
Applied Service Ref.	PCFY-P40VGM-E	PCFY-P63VGM-E PCFY-P100VGM-E	PCFY-P125VGM-E



HEAD OFFICE : MITSUBISHI DENKI BLDG., 2-2-3, MARUNOUCHI, CHIYODA-KU, TOKYO100-8310, JAPAN
